

耐普泵业



能耐普实



nep 公司总部 Headquarter

地址：中国湖南省长沙经济技术开发区盼盼路26号

Add: No.26.Panpan Road,Changsha Economic & Technical Development Zone, Hunan, China

邮编 (Post Code) : 410100

电话 (TEL) : (86) 731-82957166

82957177 82957188

传真 (FAX) : (86) 731-82957100

售后电话 (After-sales Service) : (86) 731-82957120

E-mail: neppump@hnnep.com

Http://www.hnnep.com

International Trade Department

TEL: (86)731-82957177

FAX: (86)731-82957100

E-mail/Skype:pump@neppump.com

Http://www.neppump.com

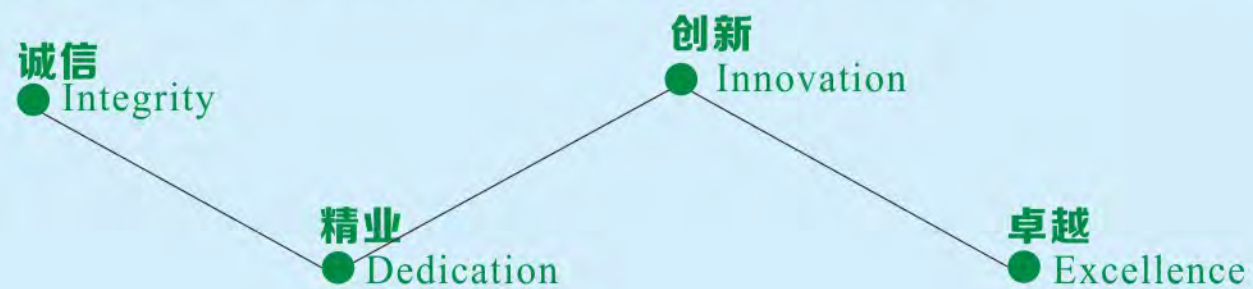
2018年4月印



泵产品 CATALOGUE

目录 Contents

公司简介 Company Brief	2
证书和专利 Certificates & patents	3
营销、测试和制造 Marketing,testing & manufacturing	4
泵产品 Catalogues	5
立式长轴泵、立式斜流泵 Vertical Turbine Pump/Vertical Mixed Flow Pump	5
消防泵组 Fire Fighting Pump Unit	6
卧式中开离心泵 Horizontal Split Case Centrifugal Pump	7
无泄漏耐腐蚀泵 Leak-free Corrosion Resistance Pump	8
化工流程泵 Chemical Process Pump	8
超低温磁力离心泵 Super Cryogenic Magnetic Centrifugal Pump	8
超低温潜液泵 Super Cryogenic Submersible Pump	9
卧式多级泵 Horizontal Multi-stage Pump	9
多相流溶气泵 Multiphase Flow Air Dissolution Pump	10
无密封液下排污泵 Seal-free Submerged Drainage Pump	10
潜没式海水电泵 Electrical Submersible Seawater Pump	11
Td型立式多级筒袋式凝结水泵 TD Vertical Multi-stage Condensate Pump	11
移动式应急泵车 Emergency Mobile Pump Vehicle	11
船载泵站 Floating Pump Station	12
建筑消防泵 Fire Pump for Construction	12
全国销售服务网点 Domestic Sales and Service Network	13



企业简介 Company Brief

湖南耐普泵业股份有限公司是一家水泵制造专业厂家，省“高新技术企业”，中国泵业主要骨干企业之一，位于国家级长沙经济技术开发区。

公司通过自主研发、引进消化吸收、与科研院所合作，产品形成了23个系列、247个品种、1203个规格，主要服务于石化、海洋平台、电力、钢铁、市政、水利等领域，为客户提供泵组产品及控制系统、节能改造及合同能源管理，提供泵站检修、维护及解决方案，泵站工程承包等业务。

主导产品有立式长轴/斜流泵、消防（应急）泵组、水平中开泵、无泄漏耐腐蚀泵、化工流程泵、低温泵、多相流泵、无密封液下排污泵、潜没式海水电泵、浮船泵站及泵控制系统等

公司采用CAD、CAM、CAPP、PDM、CRM、ERP，实现了系统的有效集成，提升了信息化管理水平。

耐普泵业秉承“诚信、精业、创新、卓越”的经营理念，以技术、品牌、服务为核心，做精做强，朝着高端智能装备、富于创新、具有国际竞争力的企业迈进！

Hunan Neptune Pump Co., Ltd. (short for NEP) is a professional pump manufacturer. As a provincial-level “High-Tech Enterprise”, it is regarded as one of the key enterprises in China’s pump industry.

By means of independent research and development, the application of imported technology and the cooperation with research institutes, NEP has developed products of 23 series, including 247 varieties and 1,203 specifications. mainly serving for fields covering petrochemical, offshore platform, power, iron & steel, municipal administration, water conservancy ect. NEP provides clients with pump units and control systems, energy saving reconstructions and energy performance contracting, pump station inspection, maintenance and solutions and pump station construction contracting, etc.

NEP’s leading products are vertical turbine pump/mixed flow pump, fire pump (emergency), horizontal split case pump, leak-free corrosion resistant pump, chemical process pump, cryogenic pump, multi-phase pump, seal-free submerged drainage pump, electric submersible seawater pump, floating pump station and pump control system.

NEP has achieved an effective system which integrates CAD, CAM, CAPP, PDM, CRM and ERP, it improves the information management.

Adhering to business philosophy of integrity, dedication, innovation and excellence, NEP keeps developing and gets better by focusing on the technology, brand and service. NEP is moving forward to become a innovative enterprise with high-end intelligent facilities and of international competitiveness.

质保体系与资质认证

Quality Assurance System & Quality Certification

耐普泵业有完善的质保体系，通过了ISO9001、ISO14001、OHSAS18001等三体系认证。主要产品通过了欧盟CE、美国FM、UL、中国消防3C、船级社CCS、电能、节能等产品认证。



公司拥有专利36项，其中发明专利7项，实用新型专利29项。是立式长轴泵、立式斜流泵的行业标准编制单位。



With a complete quality assurance system, NEP has obtained ISO9001, ISO14001 and OHSAS18001 certificates and its major products have obtained CE, FM Approval, CCC, CCS certificates and energy conservation product certificates granted by Power (Beijing) Product Certification Center Co., Ltd. NEP has 36 patents, including 7 invention patents and 29 utility model patents. NEP is one of the organizations which compiled the standard of Vertical Mixed-flow Pump and Vertical turbine Pump.

营销、制造和测试能力

Marketing, Testing & Manufacturing

公司形成了遍及全国的营销网络和海外销售平台，有完善的售后服务体系，产品服务于全国，并出口美国、中东、东南亚、南美、非洲等几十个国家和地区。



公司有数控立车、卧车、动平衡机等先进设备，有光谱分析仪等检验仪器仪表。拥有国际先进水平的水力测试中心，水池容积6300m³。可测泵最大直径3m、最大流量20m³/s，最大功率5000KW；可视化智能测试系统可实时、直观地监控测试过程，测试数据自动采集、自动生成。



NEP has established a nationwide marketing network and overseas sales platform with a complete after-sales service system. Its products have been exported to the United States, the Middle East, Southeast Asia, Africa and other countries and regions.

NEP has advanced production equipment such as NC vertical lathes, horizontal lathes, dynamic balancing machine, and a first-class pump hydraulic test center with a test pool of 6300m³, which is available for the testing of pumps with maximum diameter of 3m, maximum capacity of 20m³/s and maximum motor power up to 5000KW. The visible intelligent test system can directly monitor the test process in real time and automatically collect and generate the test result. It is greatly improving test efficiency and the accuracy of results.

泵产品 Catalogue

立式长轴/斜流泵 Vertical Turbine Pump/Vertical Mixed Flow Pump

流量: 30 ~ 70000m³/h

扬程: 4 ~ 220m

介质: 可以用来输送55℃以下的清水、雨水、铁皮坑水、污水、海水等介质，经特殊设计，输送介质温度可达90℃。

结构形式: 转子部件分为可抽与不可抽

应用领域: 石油化工、电力、钢铁、LNG接收站、海洋平台、市政水利等

Capacity(Q): 30~70000m³/h

Head(H): 4~220m

Media: Apply to transfer clean water, rain water, scale pit water, waste water and seawater and other similar liquid under 55℃. Special design can be available for liquid up to 90℃.

Structure: Pull-out rotor, Non pull-out rotor

Application: Petrochemical, Offshore Platform, Power Plant, Steel, LNG Station, Municipal, water conservancy, etc.



应用业绩 Application Projects



唐山LNG接收站立式长轴海水泵
Tangshan LNG Station Seawater Pump



洞庭湖水利工程永丰泵站
Dongtin Lake Water Conservancy Project



宁夏石油500万吨炼油改扩建工程
Sinopec Ningxia 5,000,000 Ton Oil Project



宝钢湛江立式长轴泵(吐出口径1.8米)
Baosteel Project (discharge dia. 1800cm)



鲁阳电厂立式长轴泵(基础层以下长度23米)
CNPC Luyang Power Plant (Length below foundation is 23m)



印尼南嘉电厂立式长轴海水泵
Namgyal Power Plant In Indonesia

消防泵组 Fire Fighting Pump Unit

流量: 30 ~ 5000m³/h

扬程: 10 ~ 370m

采用标准: GB6245-2006、NFPA20

应用领域: 石油化工、LNG接收站、海上平台、市电力、市政、建筑、钢铁等

Capacity(Q): 30~5000m³/h

Head(H): 10~370m

Standard: GB6245-2006, NFPA20

Application: Petrochemical, LNG Station, Offshore Platform, Power Plant, Municipal, water conservancy, Steel, etc.



首都机场柴油机立式长轴消防泵组
Diesel Engine Vertical Turbine Fire Pump Set in Capital Airport

应用业绩 Application Projects



海洋平台(锦州9-3)电动消防泵
CNOOC 9-3 Offshore Platform Electric Fire Pump



LNG柴油机海水消防泵
CNOOC LNG Station Diesel Engine Fire Pump



扬子石化电动消防泵
Sinopec Yangzi Petrochemical Electric Fire Pump



宁夏炼油柴油机消防泵
Sinopec Ningxia Refining Diesel Engine Fire Pump



孟加拉AKG水处理站工程
AKG Water Treatment Station In Bangladesh



尼日尔Agadem油田一体化项目
Agadem Oil Field Integration Project in Niger

卧式中开离心泵 Horizontal Split Case Centrifugal Pump

流量: 100~25000m³/h
扬程: 6~370m
介质: -20℃~80℃, PH值在5~9范围的液体
结构形式: 单级双吸、多级单吸
应用领域: 石油、化工、冶金、钢铁、电力、市政、水利等

Capacity(Q): 100~25000m³/h
Head(H): 6~370m
Media: -20℃~80℃, liquid with PH5~9
Structure: Single stage double suction, multi-stage single suction
Application: Petrochemical, Metallurgy, Power Plant, Steel, Municipal, Water Resources, etc.

应用业绩 Application Projects



宝钢汽车板镀锌生产线中开泵
Baosteel Automobile Galvanize Line



上海石化中开泵
Shanghai Petrochemical



巴西CSN钢厂中开泵
CSN Steel in Brazil



中石化茂名石化中开泵
Sinopec Maoming petrochemical
Horizontal split case pump



贵州北控水务中开泵
Guizhou Water Service

无泄漏耐腐蚀泵 Leak-free Corrosion Resistance Pump

流量: 最大400m³/h
扬程: 最高130m
特点: 安全性、耐久性、易维护性和零泄露
应用领域: 石油、化工、炼油、钢铁、制药、食品等

Capacity(Q): Maximum 400m³/h
Head(H): Maximum 130m
Feature: Safety, durability, easy maintenance and no leakage
Application: Petrochemical, Oil refining, Steel, Pharmacy, Food, etc.



化工流程泵 Chemical Process Pump

流量: 最大2600m³/h
扬程: 最高300m
压力: 最高10MPa
温度: 最高425℃
应用领域: 石油、化工、天然气、电力、冶金等

Capacity(Q): Maximum 2600m³/h
Head(H): Maximum 300m
Pressure: Maximum 10MPa
Temperature: Maximum 425℃
Application: Petrochemical, Chemical industry, Natural gas, Power plant, Metallurgy, Etc.



超低温磁力离心泵 Super Cryogenic Magnetic Centrifugal Pump

流量: 6m³/h~200m³/h
扬程: 40m~300m
介质: 液化天然气、液氮、液氧、液氩(-196℃)
应用领域: 深冷行业易燃、易爆、有毒和贵重液体输送(如液态氮、液态天然气等)

Capacity(Q): 6m³/h~200m³/h
Head(H): 40m~300m
Media: Liquefied natural gas, liquid nitrogen, liquid oxygen, liquid argon (-196℃).
Application: Applying to transporting inflammable, explosive, toxic and precious liquids in cryogenic industry.



超低温潜液泵 Super Cryogenic Submersible Pump

流量: 2m³/h~150m³/h
扬程: 35m~450m
介质: 液化天然气、液氮、液氧、液氩 (-196℃)
应用领域: LNG接收站、LNG汽车加气站, 充装LNG运输槽车等深冷行业。

Capacity(Q): 2m³/h~150m³/h
Head(H): 35m~450m
Media: Liquified natural gas, liquid nitrogen, liquid oxygen, liquid argon (-196℃).
Application: Applying to LNG terminal, LNG automobile filling station and filling LNG transport tanker in cryogenic industry. (Such as liquid nitrogen, liquid natural gas)



卧式多级泵 Horizontal Multi-stage Pump

流量: 0~100m³/h
扬程: 120~1500m

Capacity(Q): 0~100m³/h
Head(H): 120~1500m



D型泵系单吸、多级节段式离心清水泵

介质: 适用于输送不含固体颗粒的清水或物理、化学性质类似于清水的液体。
应用领域: 石油、化工、冶金、钢铁、电力、市政、水利等

D Type Single Suction, Multi-stages Clean Water Centrifugal Pump

Media: Apply to transporting clean water or similar liquid which without solid particles.

Application: Petrochemical, Metallurgy, Steel, Power plant, Municipal, Water conservancy, etc

DG型卧式多级泵 (锅炉给水泵)

介质: 输送锅炉给水, 也适用于工矿企业及城市高扬程输送不含固体颗粒的清水或物理、化学性质类似于清水的液体。最高温度可达200℃

应用领域: 电厂锅炉给水

DG Horizontal Multi-stage Pump (Boiler Feed Water Pump)

Media: Conveying boiler feed water, applicable to transport liquid without solid particles or liquid which is similar to clean water in physical and chemical properties and the temperature could be up to 200℃.

多相流溶气泵 Multiphase Flow Air Dissolution Pump

流量: 5~80m³/h
扬程: 30~90m
进口直径: 40~100mm
溶气性能: 20%
应用领域: 净化,废水回收利用中的溶气气浮系统、石油工业上的溶气气浮、中和工艺和污水脱硫。

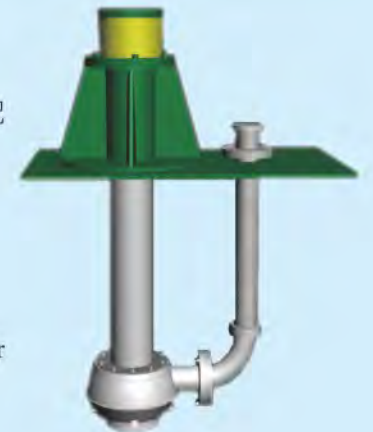
Capacity(Q): 5~80m³/h
Head(H): 30~90m
Inlet diameter: 40~100mm
Air dissolution performance: 20%
Application: Purification, dissolved air flotation system in reclamation of waste water, dissolved air flotation in petroleum industry, neutral process and desulfurization sewage.



无密封液下排污泵 Seal-free Submerged Drainage Pump

流量: 10~900m³/h
扬程: 6~82m
介质: 含颗粒污水、油污及纤维混合液
应用领域: 污水处理、工矿排污、矿山排水等, 根据使用情况泵入口可以配搅拌器。

Capacity(Q): 10~900m³/h
Head(H): 6~82m
Media: Waste water including particle, dirty oil, fiber mixture.
Application: Sewage treatment, mining sewage, mining drainage, etc. Blender can be available at pump inlet according to condition.



潜没式海水电泵 Electrical Submersible Seawater Pump



流量: 18~8000m³/h

扬程: 15~277m

应用领域: 海洋平台作为消防、注水或冷却用水等

★已应用于中海油渤海海洋平台

★已应用于摩洛哥Jerada燃煤电站项目(基础以下长度70米)

Capacity(Q): 18~8000m³/h

Head(H): 15~277m

Application: Offshore platform for fire fighting, water flooding, water cooling, etc.

★Applied to CNOOC Bohai Offshore Platform

★Applied to Morocco Jerada Power Plant Project (The length below foundation is 70m)

TD型立式多级筒袋式凝结水泵 TD Vertical Multi-stage Condensate Pump

流量: 160~2000m³/h

扬程: 40~380m

应用领域: 适用于电厂输送凝结水及汽蚀性能要求高的场合。

Capacity(Q): 160-2000m³/h

Head(H): 40-380 m

Application: Apply to power plants for conveying the condensation water and situations requiring high cavitation performance.



移动式应急泵车 Emergency Mobile Pump Vehicle

流量: 15~300m³/h

扬程: 10~125m

应用领域: 城市内涝, 管网排水, 防汛抗旱, 消防取水等。

★已应用于山东海阳核电

Capacity(Q): 15-300 m³/h

Head(H): 10-125 m

Application: Drainage of urban waterlogging and pipe network, flood control and drought relief, water intaking for fire fighting, etc.

★Applied to Shandong Haiyang Nuclear Power Station



船载泵站 Floating Pump Station

船载泵站是将水泵装置安放在浮船上, 应用于江、河、湖、库等水位变化的地方, 工业上用于尾矿库原水取水。

流量: 100~5000m³/h

扬程: 20~200m

★已应用于秘鲁矿山工程

Floating pump station is designed to place pump and its auxiliary equipment on the floating pontoon. Apply to lakes, reservoirs and other places where the water level often changes. In industry, it can be used for raw water taking in tailings.

Capacity(Q): 100~5000m³/h

Head(H): 20~200m

★Applied to Peru Mining



建筑消防泵 Fire Pump for Construction

流量范围: 10~120L/s

扬程范围: 20~200m

介质温度: 0~80℃

输送介质为不含固体颗粒的清水或物理化学性能, 类似于清水的液体。

泵组特点

可靠性: 控制系统集成化, 启动迅速灵敏; 机组安装于消防水池上面, 避免了驱动机被淹的危害; 叶轮浸没在水中, 无需灌水, 可直接迅速启动。

高效节能: 采用优秀水力模型, 泵效率高, 节省能耗; 基础以下长度可调节, 适应性强。

绿色环保: 占地面积小, 土建成本低, 符合绿色发展理念; 立式长轴泵宜建成景观消防水池, 美化和谐环境。

Capacity: 10~120L/s

Head: 20~200m

Medium temperature: 0~80℃.

Transported media is clean water without solid particles or liquid which is similar to clean water in physical and chemical properties.

Features

Reliability: Integrated control system, prompt start. The unit will be installed above fire pool to avoid submersion of driver. Impeller will be immersed in water, it can be started quickly without pouring water.

High Efficiency and Energy Saving: Using excellent hydraulic model, achieving high efficiency and energy saving. The length below base can be adjusted, flexible and adaptable.

Environmental protection: Small occupied area, low construction cost, in line with the concept of green development. Fire pool of vertical turbine pump can be functional and landscaping at the same time.



全国销售服务网点

Domestic Sales and Service Network



International Trade Department

TEL: (86)731-82957177 FAX: (86)731-82957100 E-mail/Skype:pump@neppump.com



中开泵
Split case pump



出口美国中开泵组
Splitcase pump which exported to USA



无泄漏耐腐蚀泵
Leak free corrosion resistance pump



中化泉州立式长轴泵
Zhonghua Quanzhou Vertical turbine pump



天津LNG海水循环泵
Tianjin LNG sea water circulation pump



中石化武汉石化80万吨乙烯项目
Sinopec Wuhan petrochemical 800000 tons Ethylene project



出口消防泵
Fire pump exported



亨斯曼雨水泵
Huntsman rain water pump



中石油宁夏炼油立式长轴泵
Vertical turbine pump for CNPC Ningxia refining project



出口巴西长轴泵
Turbine pump which exported to Brazil



浦钢热轧ACC立式长轴泵
Hot rolling ACC vertical turbine pump for Pudong Steel



中海油和邦化学立式长轴海水泵
Vertical turbine seawater pump for CNOOC Hebang Chemistry